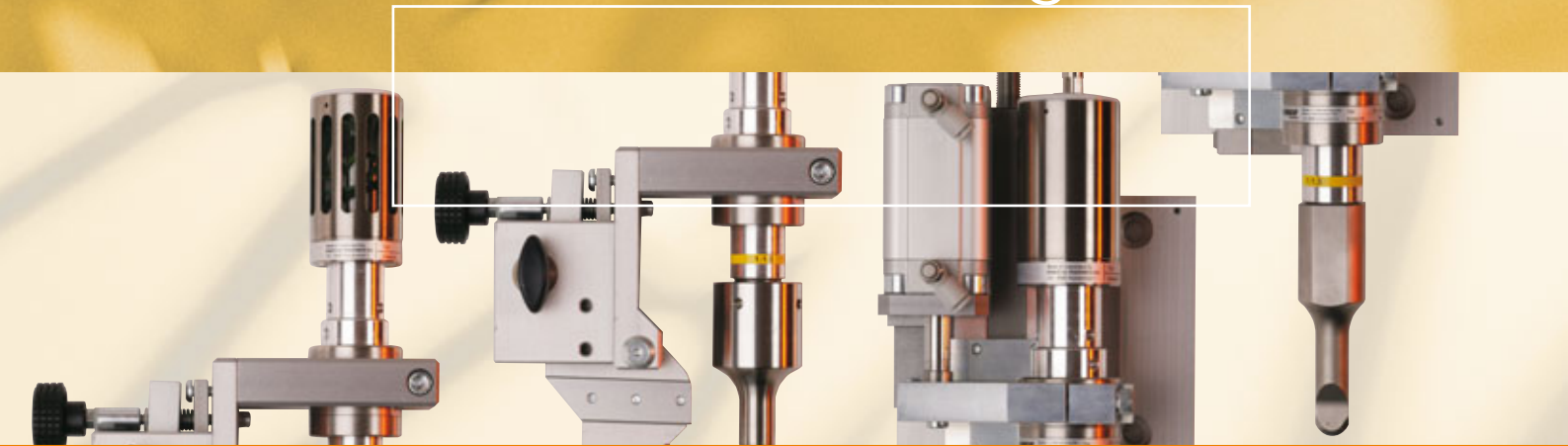




The Cutting Ones

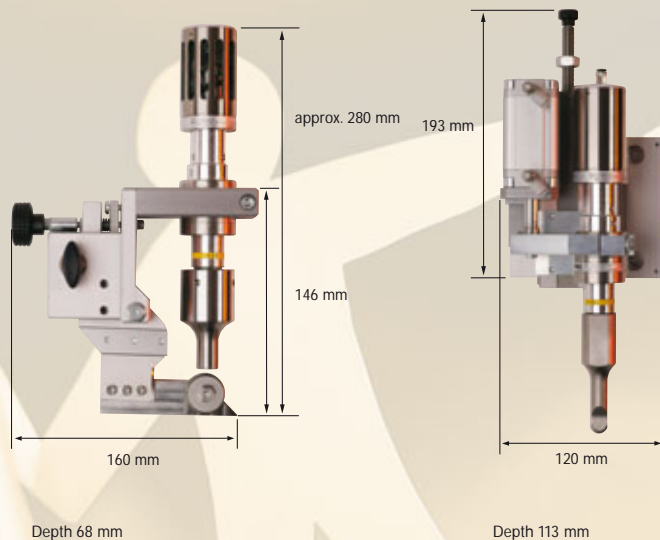


Cutting head SV35-40

Cutting head 35 kHz, Special actuator 35 kHz

The cutting head and the special actuator SV35-40 are suitable for cutting operations of textiles and fabrics with a minimum of 50% synthetic fibre content.





- Designed for the assembly into cutting rails as well as on weaving machines
- Air cooling optionally retrofit
- Ideal for continuous cutting
- Designed for the assembly into special purpose machines

Specification cutting head/ SV35-40

Cutting head:

Operating frequency:	35 kHz
Weight:	1.4 kg
Cutting power:	Pressing force adjustable using knurled thumb screw
Tool holder:	Cutting wheel (28 mm) fixed using screws and adjustable with mandril

SV35-40:

Operating frequency:	35 kHz
Safety:	This actuator is used as a component in special purpose machines
Drive type:	Pneumatic double acting cylinder Ø 25 mm
Drive energy:	Compressed air supply: 7 bar maximum 6 bar nominal Maximum consumption at 6 bar: approx. 0.6 lt.n/stroke
Maximum force:	295 N at 6 bar compressed air
Maximum stroke:	40 mm
Weight:	3 kg with oscillator system, 2.3 kg without oscillator system
Generator:	Suitable types for cutting head and SV35-40 : SL35-400/600, RL35-250/400/600, AGM35-400/600

Additional technical information available on request.



RINCO ULTRASONICS AG
 CH-8590 Romanshorn 1
 Tel. +41 71 466 41 00
 Fax +41 71 466 41 01
 info@rincoultrasonics.com
 www.rincoultrasonics.com